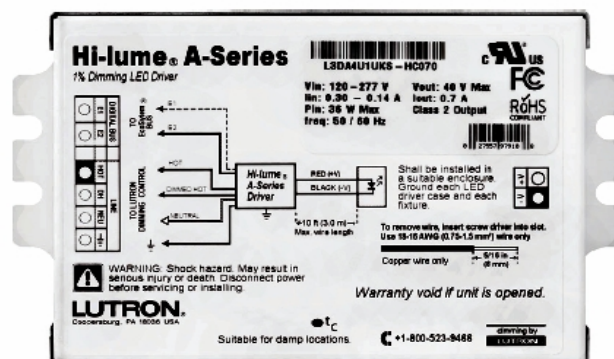


Hi-lume® A-Series LED Overview

Hi-lume A-Series is a high-performance LED driver that provides smooth, continuous 1% dimming for virtually any LED fixture, whether it requires constant current or constant voltage. It is the most versatile LED driver offered today due to its compatibility with a wide variety of LED arrays, multiple form factors, and numerous control options.

Features

- Continuous, flicker-free dimming from 100% to 1%.
- Compatible with EcoSystem® Energi Savr Node™ GRAFIK Eye® QS, and Quantum® systems, allowing for integration into a planned or existing *EcoSystem* lighting control solution.
- Standard 3-wire line-voltage phase-control technology for consistent dimming performance and compatibility with all *Lutron* 3-wire fluorescent controls.
- Compatible with forward phase control technology for use with *Lutron* forward phase controls (neutral wire required). Please contact *Lutron* for compatible controls with additional details.
- Protected from miswires of input power to *EcoSystem* control inputs.
- 100% performance tested at factory.
- A rated lifetime of 50,000 hours @ $t_c = 65^\circ\text{C}$.
- UL recognized for United States and Canada.
- FCC Part 15 compliant for commercial applications at 120 V \sim or 277 V \sim (EcoSystem and 3-wire) or 120 V \sim (Forward Phase Control).
- For more information please go to: www.lutron.com/HiLumeLED



Hi-lume A-Series, case type K

3.00 in (76 mm) W x 1.00 in (25 mm) H x 4.90 in (124 mm) L



Hi-lume A-Series, case type M

1.18 in (30 mm) W x 1.00 in (25 mm) H x 14.25 in (362 mm) L

Parkwell Lighting International Limited

Unit L, 7/F, Hong Kong (Chai Wan) Industrial Building, 26 Lee Chung Street, Chai Wan, Hong Kong

Tel: +852 3698 2388 Fax: +852 3698 2399 Email: info@parkwell-lighting.com Website: www.luminux.com.hk

Specifications

Performance

- Dimming Range: 100% to 1%
- Operating Voltage: 120-277 V \sim at 50/60 Hz (EcoSystem and 3-wire)
- Operating Voltage: 120 V \sim at 50/60 Hz (Forward Phase Control)
- A rated lifetime of 50,000 hours @ $t_c = 65^\circ\text{C}$. Contact Lutron for derating information.
- Patented thermal foldback protection
- LEDs turn on to any dimmed level without flashing to full brightness.
- Nonvolatile memory restores all driver settings after power failure.
- Power Factor: >0.90 at 40 W
- Total Harmonic Distortion (THD): $< 20\%$ at 40 W
- Inrush Current: <2 A
- Inrush Current Limiting Circuitry: eliminates circuit breaker tripping, switch arcing and relay failure.
- Open circuit protected
- Short circuit protected
- LED load is hot swappable for Class 2 rated drivers.

Environmental

- Sound Rating: Inaudible in a 27 dB ambient.
- Relative Humidity: Maximum 90% non-condensing.
- Minimum operating ambient temperature $t_a = 0^\circ\text{C}$.

Standards

- Meets ANSI C62.41 category A surge protection standards up to and including 4 kV.
- FCC Part 15 compliant for commercial applications at 120 V \sim or 277 V \sim .
- Manufacturing facilities employ ESD reduction practices that comply with the requirements of ANSI/ESD S20.20.
- Lutron Quality Systems registered to ISO 9001:2008.
- UL 8750 recognized.
- cUL recognized for use in Canada.
- Class 2 output available.

Driver Wiring & Mounting

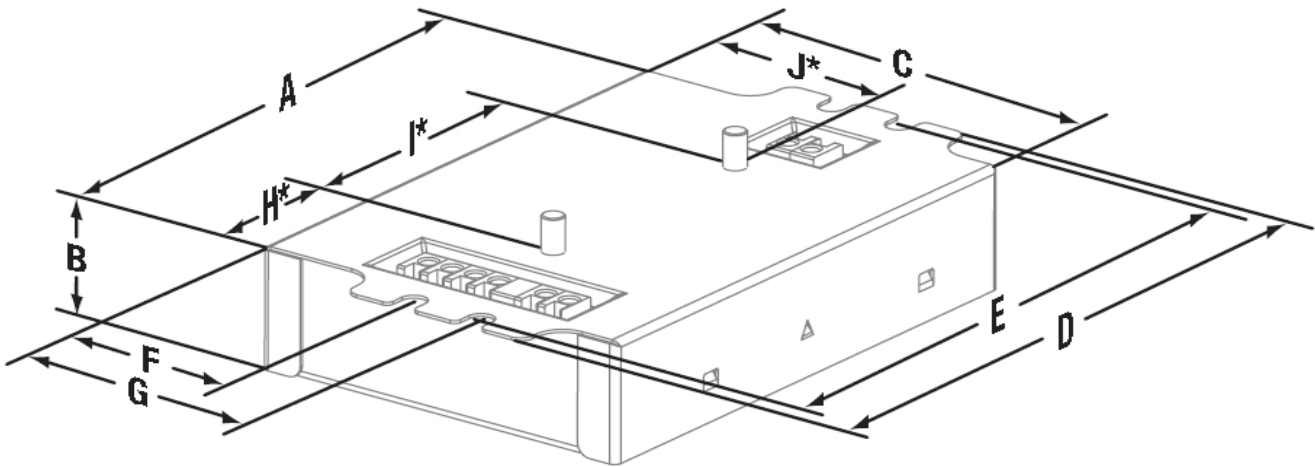
- Driver is grounded by a mounting screw to the grounded fixture (or by terminal connection on the K case).
- Terminal blocks on the driver accept one solid wire per terminal from 18 to 16 AWG (0.75 to 1.5 mm 2).
- Fixture must be grounded in accordance with local and national electrical codes.
- Maximum driver-to-LED light engine wire length is 10 ft (3.0 m).

Parkwell Lighting International Limited

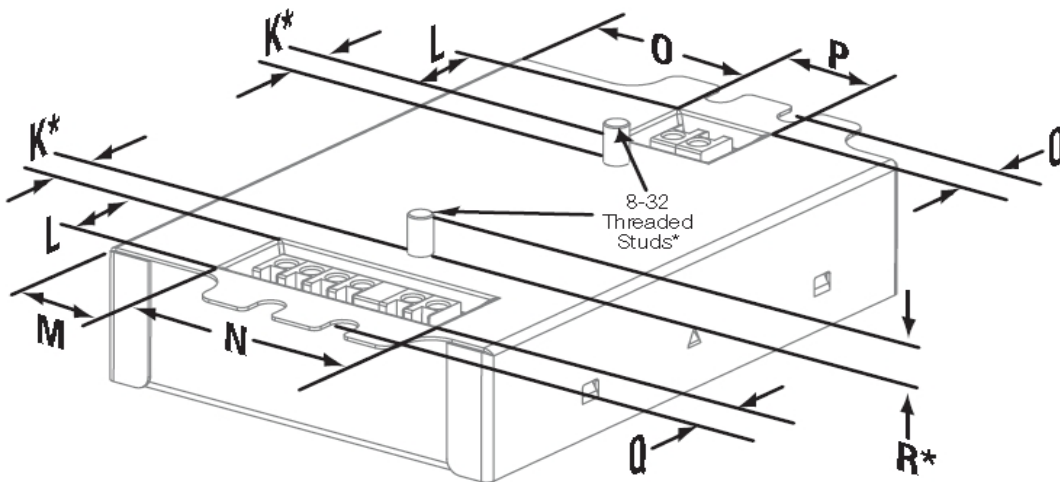
Unit L, 7/F, Hong Kong (Chai Wan) Industrial Building, 26 Lee Chung Street, Chai Wan, Hong Kong

Tel: +852 3698 2388 Fax: +852 3698 2399 Email: info@parkwell-lighting.com Website: www.luminix.com.hk

K Case: Case Dimensions



K Case: Connector Location Dimensions



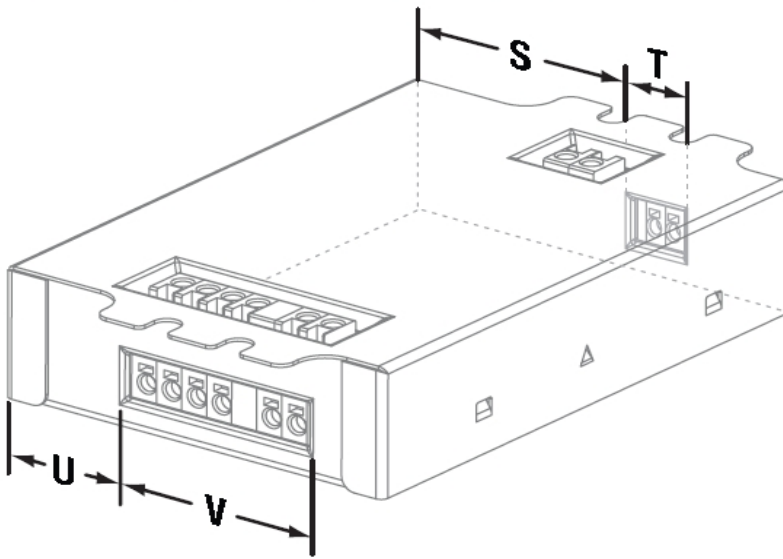
A	4.20 in (107 mm)	F	1.42 in (36 mm)	L	0.65 in (16.5 mm)	R*	0.29 in (7 mm)
B	1.00 in (25 mm)	G	1.99 in (51 mm)	M	0.75 in (19 mm)		
C	3.00 in (76 mm)	H*	1.11 in (28 mm)	N	1.73 in (44 mm)		
D	4.90 in (124 mm)	I*	2.00 in (51 mm)	O	1.33 in (34 mm)		
E	4.60 in (117 mm) (mounting center)	J*	1.60 in (41 mm)	P	0.74 in (19 mm)		
		K*	0.33 in (8.3 mm)	Q	0.32 in (8 mm)		

* Applies to studded K case only.

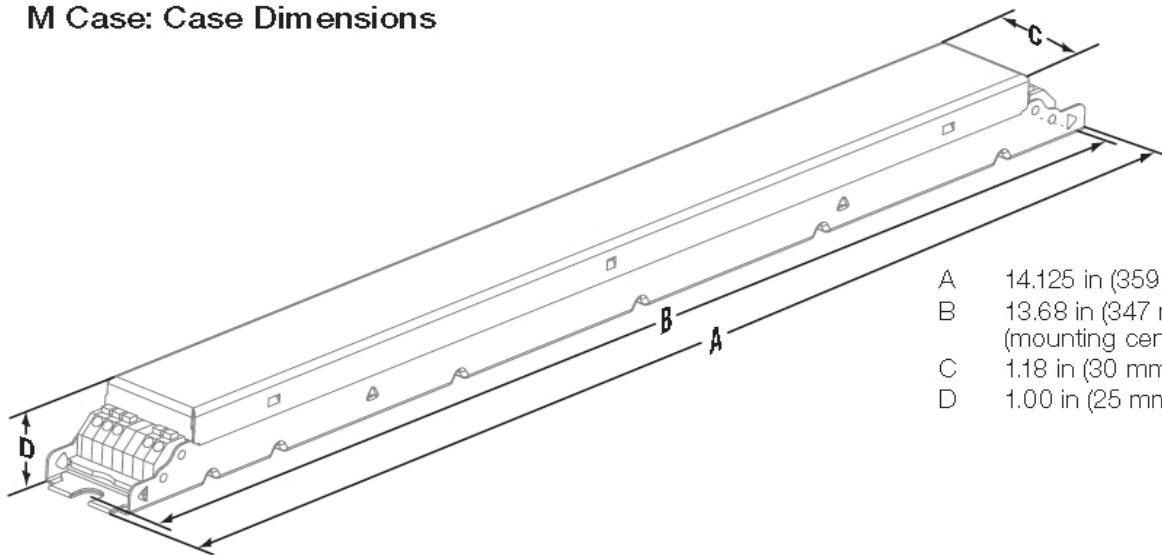
Parkwell Lighting International Limited

Unit L, 7/F, Hong Kong (Chai Wan) Industrial Building, 26 Lee Chung Street, Chai Wan, Hong Kong

Tel: +852 3698 2388 Fax: +852 3698 2399 Email: info@parkwell-lighting.com Website: www.luminux.com.hk

K Case: Side Entry Connector Location Dimensions (Non-Studded)

S	1.38 in (35 mm)
T	0.64 in (16 mm)
U	0.88 in (22 mm)
V	1.53 in (39 mm)

M Case: Case Dimensions

A	14.125 in (359 mm)
B	13.68 in (347 mm) (mounting center)
C	1.18 in (30 mm)
D	1.00 in (25 mm)

Parkwell Lighting International Limited

Unit L, 7/F, Hong Kong (Chai Wan) Industrial Building, 26 Lee Chung Street, Chai Wan, Hong Kong

Tel: +852 3698 2388 Fax: +852 3698 2399 Email: info@parkwell-lighting.com Website: www.luminux.com.hk