

Features

- Designed as a direct retrofit to most MR16 lighting fixtures
- Variable Power Modules (6W, 9W, 13W, 17W) can replace 35W, 50W, 75W and 100W halogen lamps
- Long life. 50,000 hours rated life to 70% of initial light output
- Unique thermal system. It's effective to keep LED junction temperature below 90° C, with average 69° C of housing temperature
- Unique design and well matched one piece optic lens or reflector, it delivers even or spot lighting effects
- Wide selections of CCT and beam angle
- Excellent color rendering. CRI - 83 with warm white and neutral white
- Dimmable and non-dimmable are available
- RoHS compliant
- UV and IR free



Description

Luminux is proud to present you the Simplex MR16 LED modules. With Sharp's Multichips Array LED System inside and our cutting-edge optic design, the Simplex MR16 LED Modules are the best replacement for the 35W to 100W Halogen lamps. The Simplex MR16 LED Modules consumes only 6W, 9W, 13W and 17W of power, it is now possible to reduce energy consumption and maintenance costs without compromising on light quality and ambience.

Product Offering

Item	Dimmable	Wattage	Input Voltage	Color Temperature
Simplex 6W	Dim & Non Dim	6W	220VAC LED Driver	2700K-5000K
Simplex 9W	Dim & Non Dim	9W	220VAC LED Driver	2700K-5000K
Simplex 13W	Dim & Non Dim	13W	220VAC LED Driver	2700K-5000K
Simplex 17W	Dim & Non Dim	17W	220VAC LED Driver	2700K-5000K

- Lens Beam Angle selection: 24° / 36° / 60° full beam angles
 - Reflector Beam Angle selection: 15° / 28° / 40° / 60° full beam angles
 - CCT range selection: 2700K, 3000K, 4000K, 5000K
 - Housing finish: Black body with silver trim cover
 - SHARP Multichips Array LED System inside
 - Dimming Compatibility: EcoSystem, DALI, 0-10V, Triac, PWM
- *Please contact our lighting consultant for more LED Driver and Dimming Compatibility information.

Application Information

Applications	Notes
Tracking lighting	· Operating temperature range between -20°C and +45°C
Spot lighting	· For used in dry indoor only
Display and cabinet lighting	· Non dimmable is not for use with dimmers or in luminaries controlled by a dimmer
Architectural lighting	· Not for use where exposed to weather
Art gallery and museum	· Not for use in totally enclosed recessed fixtures
Industrial and commercial area lighting	· Not intended for use with emergency exit fixtures or emergency lights · Do not look into the light directly

Parkwell Lighting International Limited

Unit L, 7/F, Hong Kong (Chai Wan) Industrial Building, Chai Wan, Hong Kong

Tel: 36982388 Fax: 36982399 Email: info@parkwell-lighting.com



Performance Summary

Item	Dimmable	Nominal Wattage	Input Voltage	CCT	Lumen Output	Beam Angle	CRI	Efficiency	Housing Temperature
Simplex 6W	Dim & Non Dim	6W	220VAC LED Driver	2700K-5000K	403lm / 486lm	24°, 36°, 60°	83	83%	65.3°C
Simplex 9W	Dim & Non Dim	9W	220VAC LED Driver	2700K-5000K	583lm / 663lm	24°, 36°, 60°	83	83%	67.5°C
Simplex 13W	Dim & Non Dim	13W	220VAC LED Driver	2700K-5000K	807lm / 934lm	24°, 36°, 60°	83	83%	73.0°C
Simplex 17W	Dim & Non Dim	17W	220VAC LED Driver	2700K-5000K	924lm / 1100lm	24°, 36°, 60°	83	83%	68.0°C

Note: 1) All specifications @ 25°C ambient condition and based on Optic Lens

Performance Summary

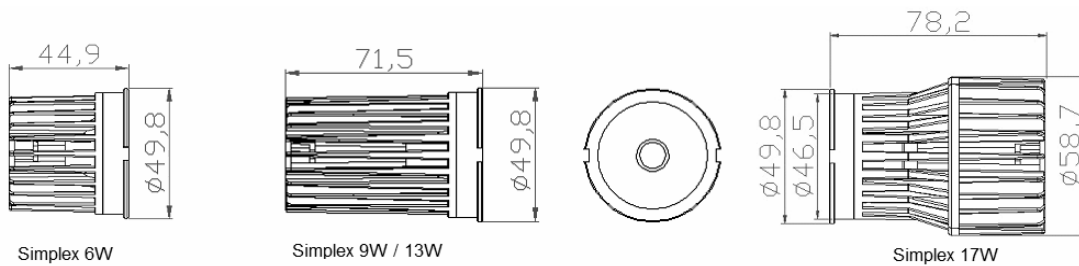
Item	Dimmable	Nominal Wattage	Input Voltage	CCT	Lumen Output	Beam Angle	CRI	Efficiency	Housing Temperature
Simplex 6W	Dim & Non Dim	6W	220VAC LED Driver	2700K-5000K	382lm / 475lm	15°, 28°, 40°, 60°	83	83%	65.3°C
Simplex 9W	Dim & Non Dim	9W	220VAC LED Driver	2700K-5000K	550lm / 660lm	15°, 28°, 40°, 60°	83	83%	67.5°C
Simplex 13W	Dim & Non Dim	13W	220VAC LED Driver	2700K-5000K	782lm / 928lm	15°, 28°, 40°, 60°	83	83%	73.0°C
Simplex 17W	Dim & Non Dim	17W	220VAC LED Driver	2700K-5000K	906lm / 1085lm	15°, 28°, 40°, 60°	83	83%	68.0°C

Note: 2) All specifications @ 25°C ambient condition and based on Optic Reflector

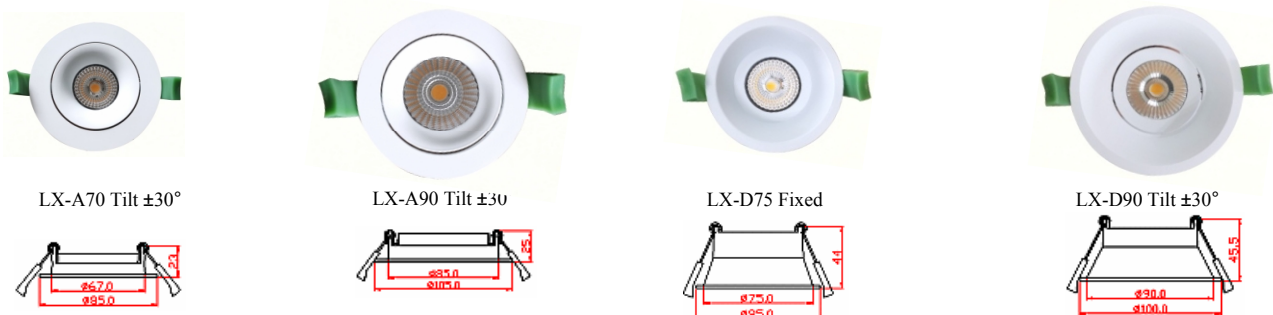
Throw Distance	2700K / 24°		2700K / 36°		2700K / 60°	
	Beam width	Illuminance	Beam width	Illuminance	Beam width	Illuminance
1m	39 cm	2892 lux	69 cm	1220 lux	93 cm	523 lux
2m	78 cm	725 lux	138 cm	310 lux	185 cm	183 lux
3m	116 cm	325 lux	206 cm	140 lux	276 cm	58 lux

Note: 3) The Photometric data is based on Simplex 9W Module, 2700K with optic LENS

Dimension



Optional Simplex MR16 Module Fitting



Parkwell Lighting International Limited

Unit L, 7/F, Hong Kong (Chai Wan) Industrial Building, Chai Wan, Hong Kong

Tel: 36982388 Fax: 36982399 Email: info@parkwell-lighting.com

